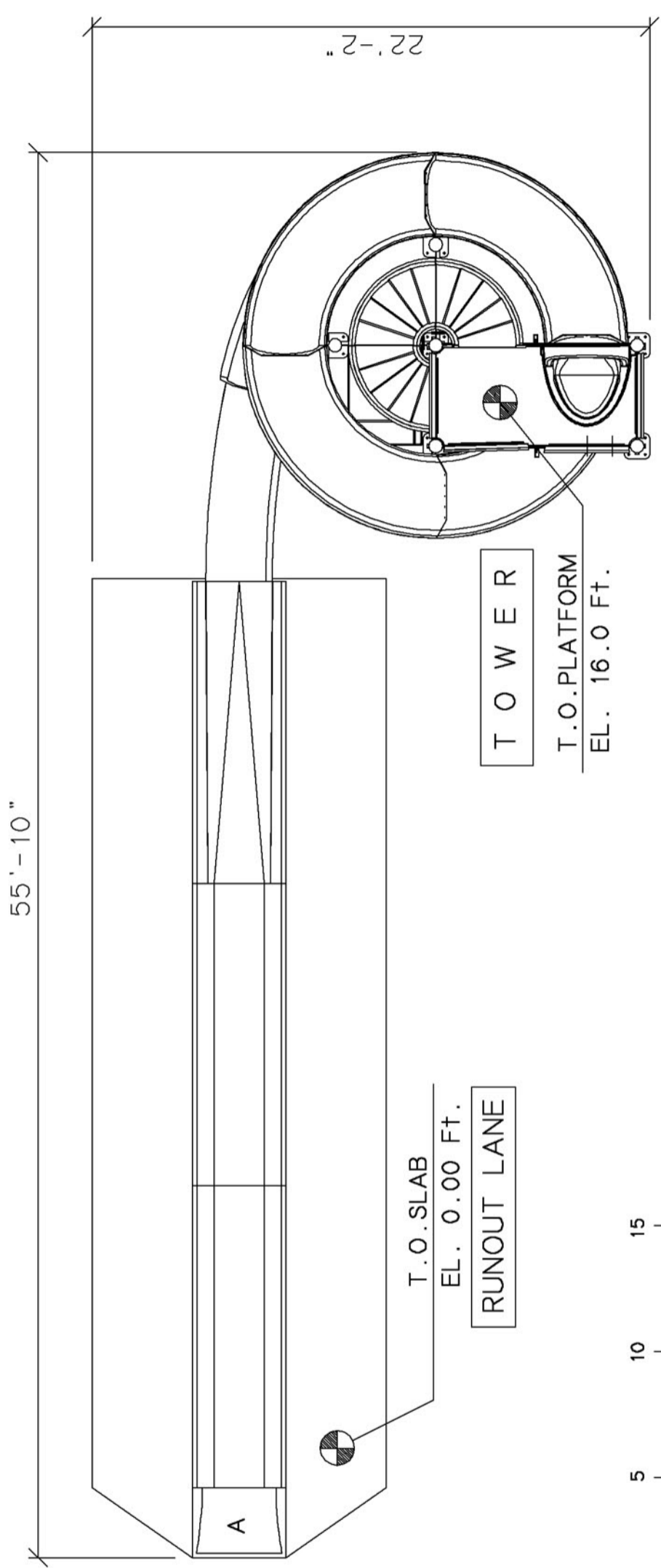
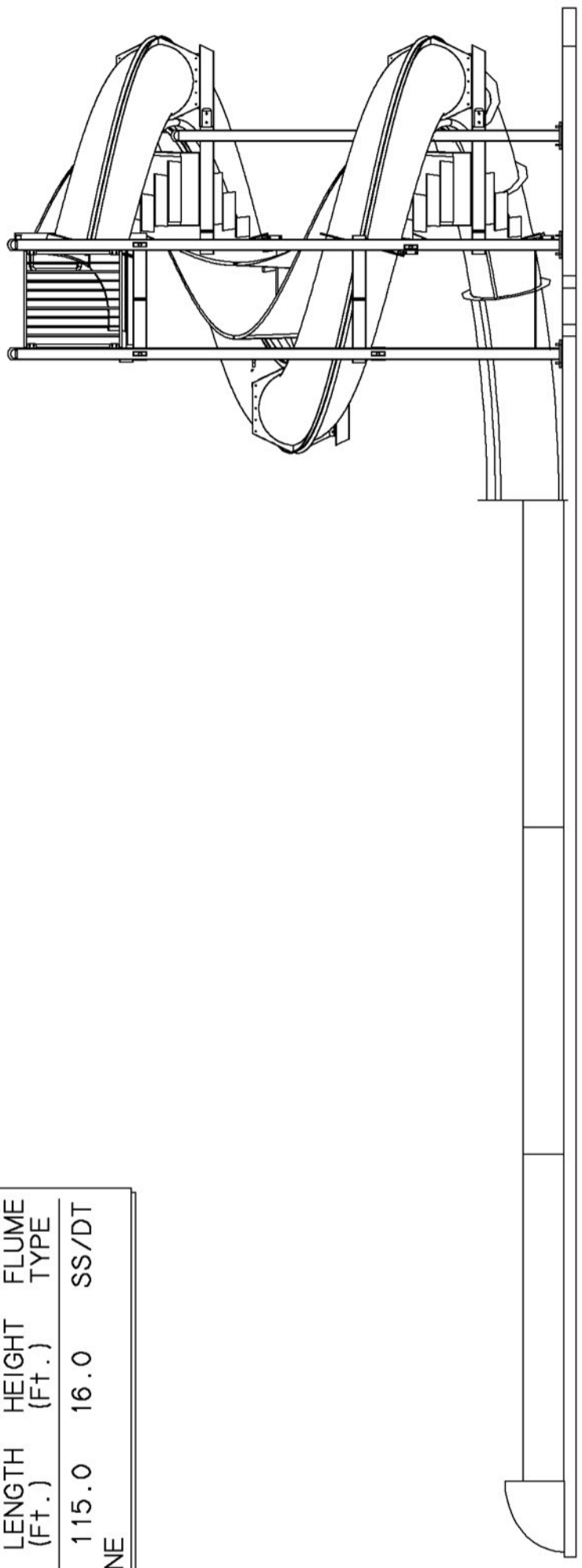


This document is copyrighted and the proprietary information contained herein are the sole property of Whitewater West Industries Ltd. and may not be reproduced or distributed without prior consent of Whitewater West Industries Ltd.

SLIDE NAME	LENGTH (Ft.)	HEIGHT (Ft.)	FLUME TYPE
A	115.0	16.0	SS/DT

CYCLONE



55' - 10"

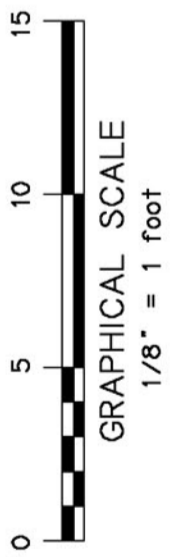
22'-2"

T O W E R

T.O.PLATFORM
EL. 16.0 Ft.

T.O.SLAB
EL. 0.00 Ft.

RUNOUT LANE



WHITEWATER



6700 McMillan Way, Richmond, BC Canada V6W 1J7
Tel (604) 273-1068 Fax (604) 273-4518

DRAWING TITLE
CYCLONE INTO RUNOUT LANE

PROJECT
STD0

DRAWN	A.H.	TOWER	-
DESIGN	P.C.	MODEL	12992

DATE	AUG 27/07
SCALE	1/8" = 1'

PAGE No.
SK-59