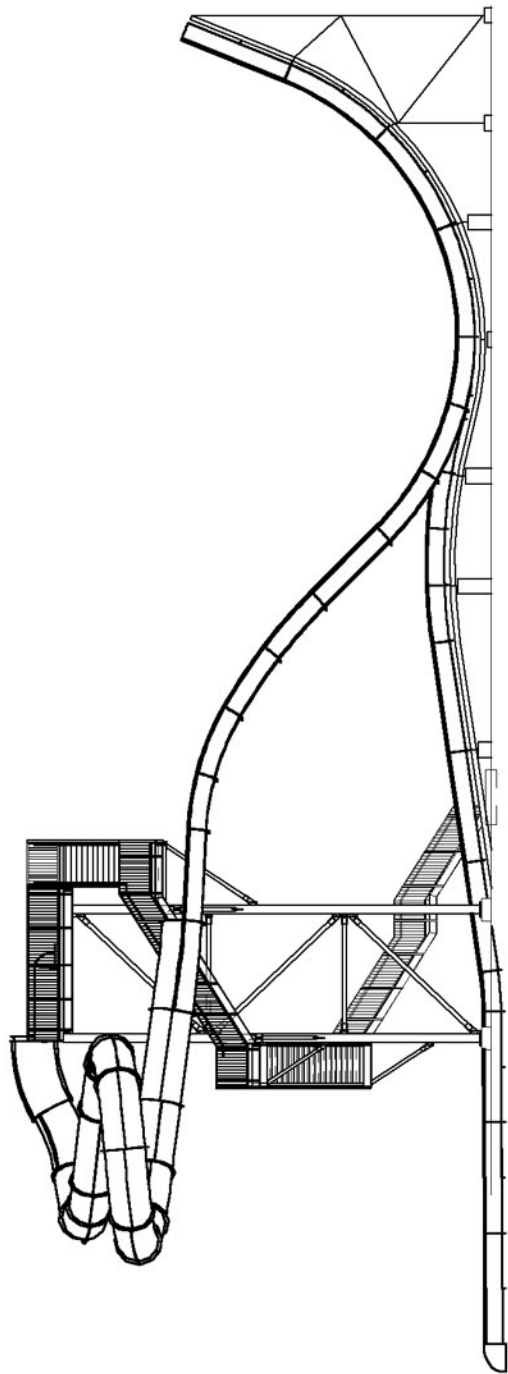
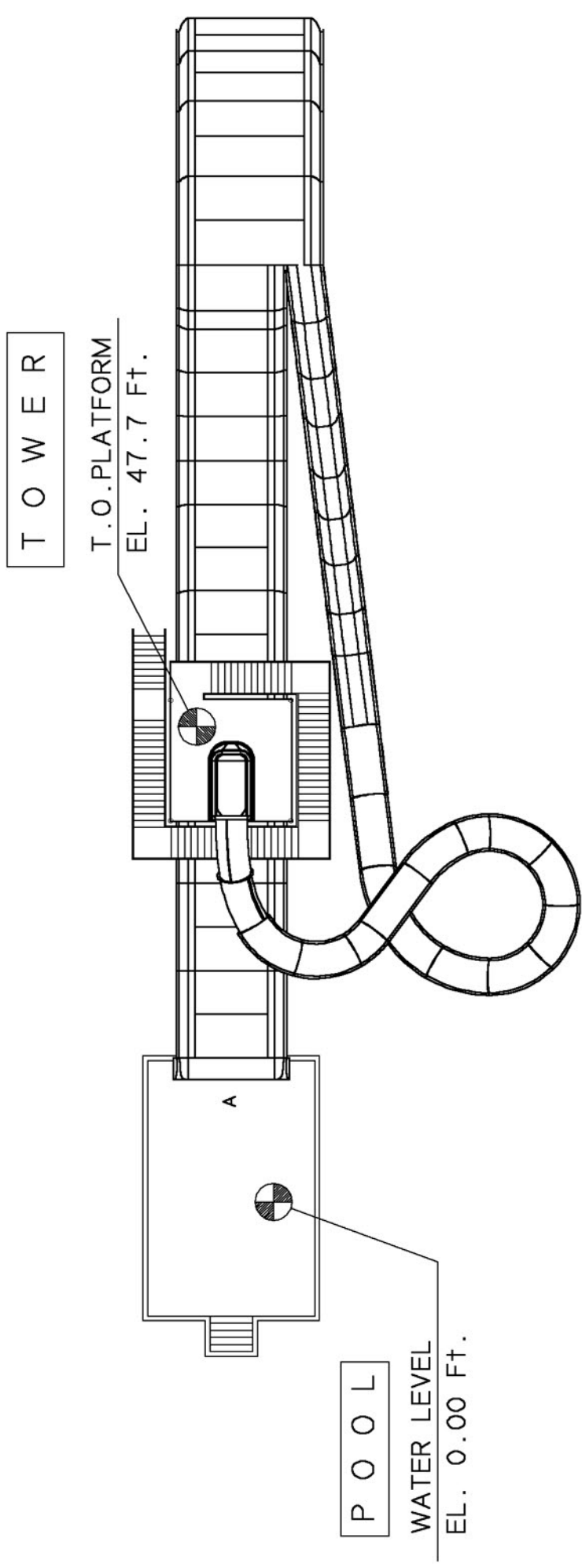


This document is copyrighted and the proprietary information contained herein are the sole property of Whitewater West Industries Ltd., and may not be reproduced or distributed without prior consent of Whitewater West Industries Ltd.

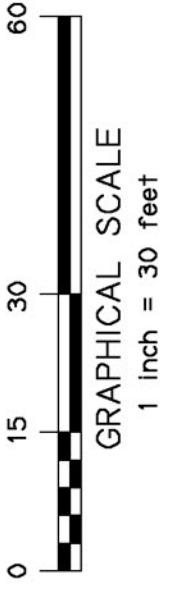
SLIDE NAME	LENGTH (Ft.)	HEIGHT (Ft.)	FLUME TYPE
A	216.3	47.7	GAT/BF/HP
161.7 FT. OF BOOMERANGO C/W ENCLOSED/ OPEN1-2 PERSON INNER TUBE RIDE			



ELEVATION VIEW



SLIDE PATH LAYOUT



# WHITE WATER



6700 McMillan Way, Richmond, BC Canada V6W 1J7  
Tel (604) 273-1068 Fax (604) 273-4518

DRAWING TITLE			PROJECT
<b>SERPENTINE BOOMERANGO</b>			STD0

DRAWN	TOWER	DATE
A.H.	-	MAR 14/08
DESIGN	MODEL	SCALE
P.C.	15706J	1"=30'

PAGE No.
SK-65